

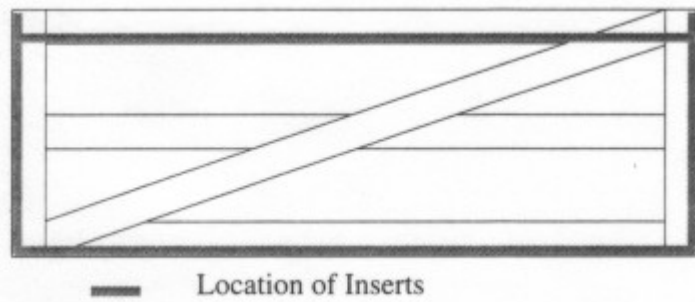
RANCH GATE FABRICATION INSTRUCTIONS

GATE CUTOUT AND ASSEMBLY

The instructions for this design are meant as guide. Any combination of up to five rails and gates up to 12 feet wide can be constructed from this basic plan. 24" Double Straps are required for gates over five feet wide.

The top and bottom rails should be double thickness (3 inches) their entire length. This will require one member cut to the width of the gate while the other member is cut to this length less the width of the two verticals and cut on an angle to form a nice joint with the diagonal. The verticals, diagonals, and other horizontal elements are only single thickness.

Four inches are required for the hardware on both sides of the gate. Therefore the gate must be eight inches narrower than the distance between the posts.



2 x 4 or 2 x 6 lumber is cut into strips 1 1/4 inches wide for use as inserts. We cut the inserts one inch shorter than the vinyl material they are to be inserted into. Inserts are put in each of the side by side members of the top and bottom rails (in the shorter rail the insert only comes up to the diagonal). This will permit the end caps to be inserted

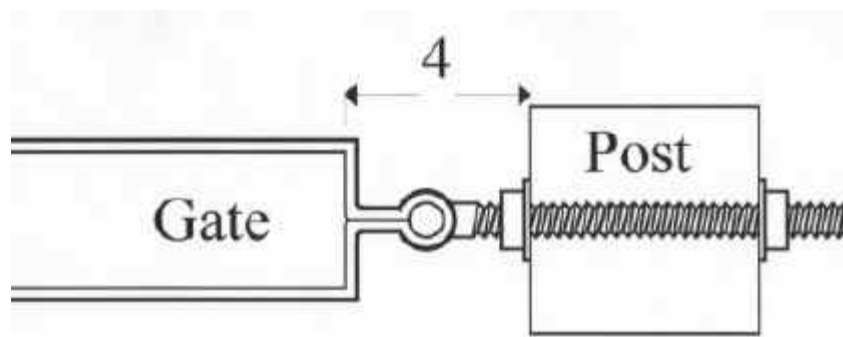
Cross Section Vinyl Rail Showing Position of Wood or Aluminum Insert



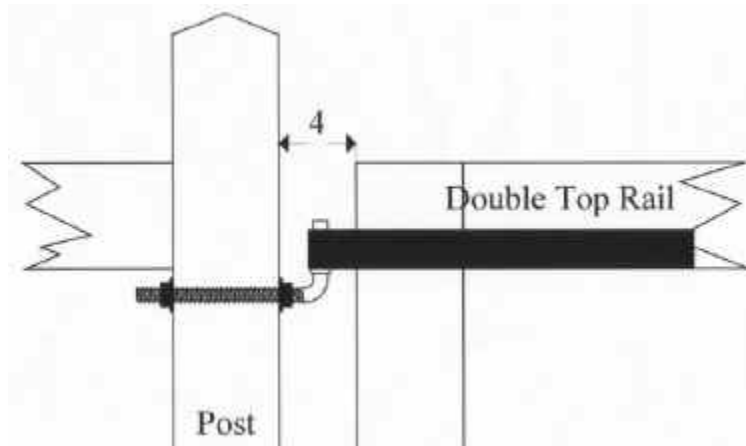
All horizontal, vertical, and diagonals are cut and assembled with wood or aluminum inserts as depicted using screws recommended for vinyl assembly. End caps and snap caps are applied to finish the gate.

MOUNTING HARDWARE

The double strap hinges are mounted flush with the bottom edge of the top and bottom rails. Use 3/4" x 3/8" carriage bolts for each double strap. A 3/4" hole is drilled through the post and a 3/4" hanging pins is inserted through it. The nuts and washers are tightened to create a 4" gap between the gate and the post.



Hinge and Pin Viewed from Above



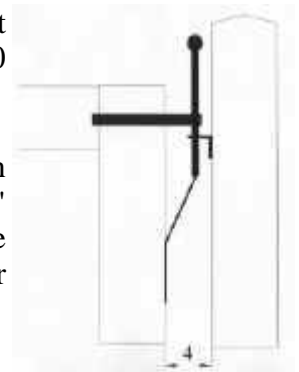
Lateral View of Double Band and Hanging Bolt

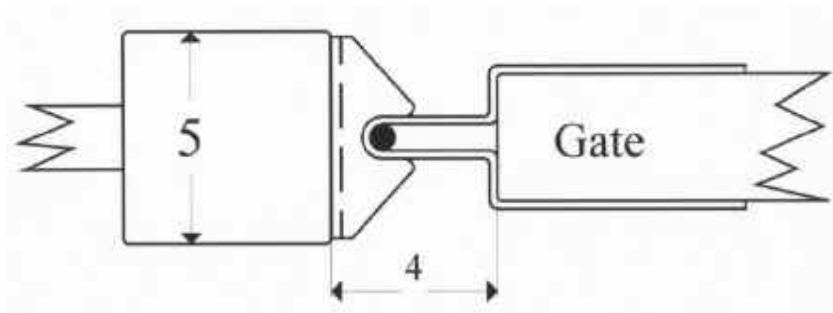
Please note: When dealing with livestock we suggest that the top pin be installed downward to prevent the animals lifting the gate off and escaping. In this case it will be necessary to install the hinge flush with the top of the upper rail and the inserts should be in the appropriate channel of the vinyl.

Once you've used the [Spring Gate Latch](#) you'll wonder how you ever did without it! Easy to install and simple to use. One can literally slam the gate from a 90 degree open position.

Mount the "keep" with four screws into the channel containing the insert. Fasten the bottom of the spring latch to the upright using a screw and a 6" x 5/16" carriage bolt (will have to mount slightly off center). The latch plate should be mounted to the post either by lag bolting into a block of wood inside the post or by use of bolts with washers and nuts inside the post.

The knob on the top of the latch must be mounted at least one inch below the top of the post to prevent accidental opening by livestock.





Spring Latch Viewed from Above

Be sure to download the [instructions for pin installation](#). If the gate will be used to control livestock then one pin **MUST** face up and one face down to prevent animals accidentally lifting the gate off the pins and escaping from the enclosed area.

Snug Cottage Hardware L.L.C. (800) 637-5427